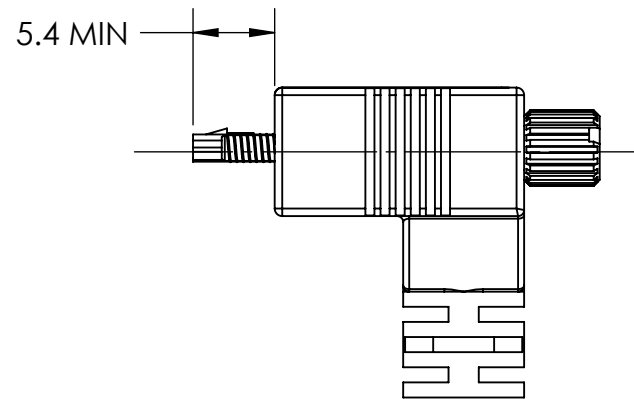
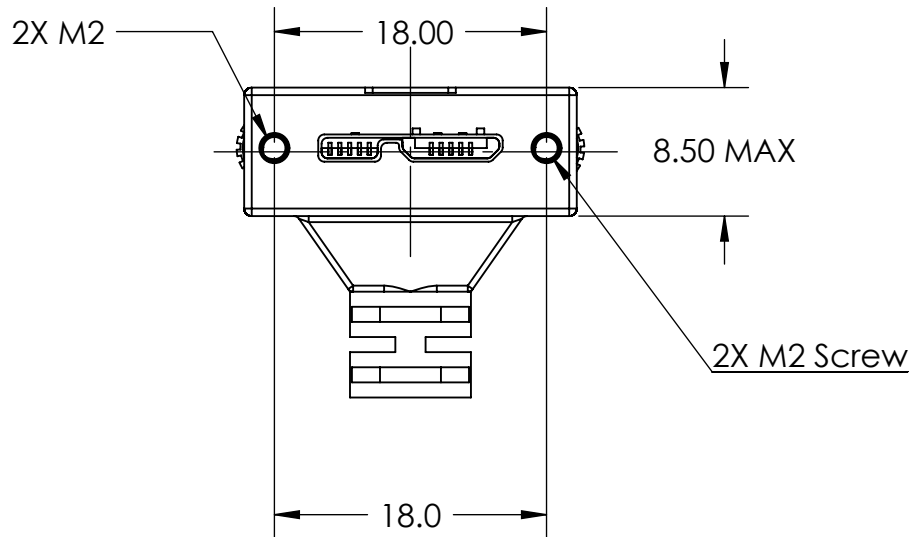
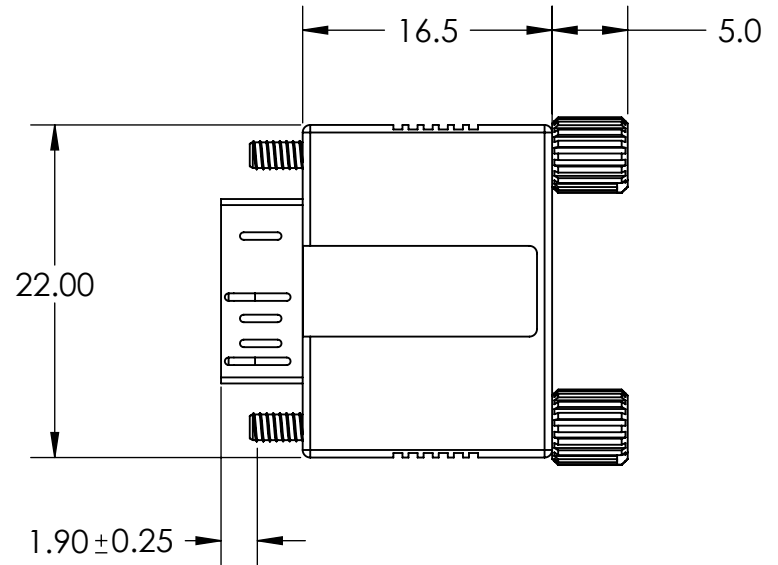
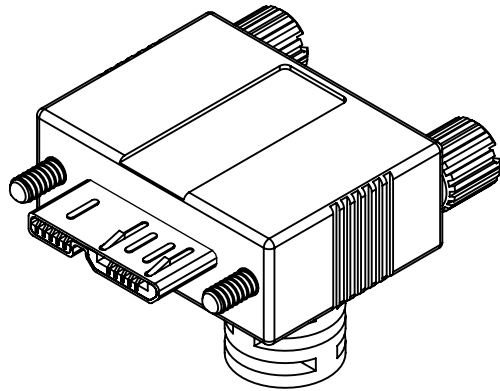


NEWNEX PROPRIETARY

THIS DOCUMENT AND THE DATA DISCLOSED HEREIN OR WITHIN IS NOT TO BE REPRODUCED, USED, OR DISCLOSED IN WHOLE OR PART TO ANYONE WITHOUT THE WRITTEN PERMISSION OF NEWNEX



Newnex Technology Corp.



UNLESS OTHERWISE SPECIFIED
DIMENSIONS ARE IN MILLIMETERS
TOLERANCES ARE:

FRACTIONS	DECIMALS	ANGLES
± NA	.X ± 0.2 .XX ± 0.05	± 0.5°

MATERIAL



SCALE: REV.

TITLE:
USB 3.0 Angled Micro B with
Locking Screws

DRAWN BY:
Colin Wang

APPROVED BY:

PART NUMBER:
US2-AMCBR11-xx

DATE:
2/11/2011

CHECKED BY:

SHEET 1 OF 1