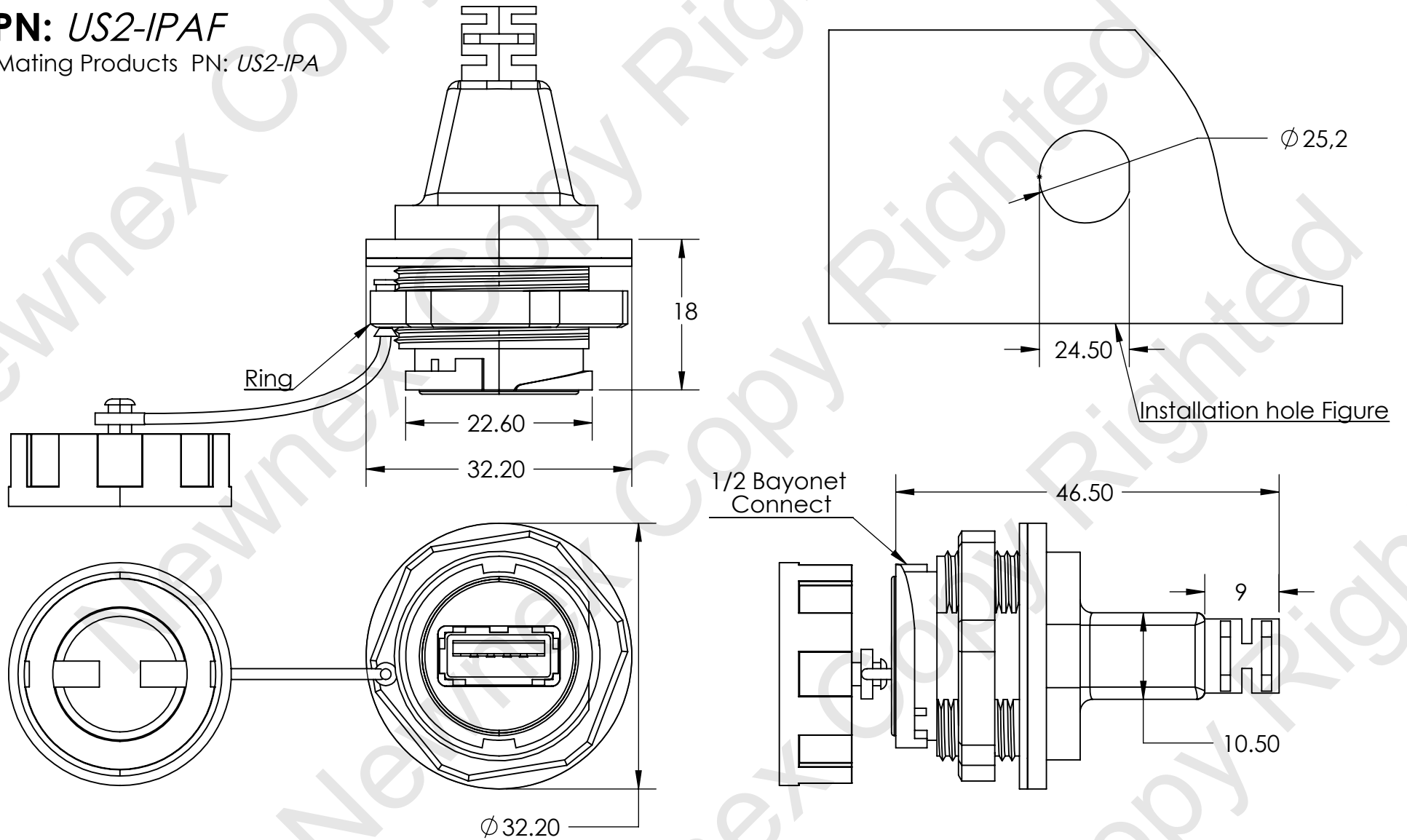


**NEWNEX PROPRIETARY**

THIS DOCUMENT AND THE DATA DISCLOSED HEREIN OR WITHIN IS NOT TO BE REPRODUCED, USED, OR DISCLOSED IN WHOLE OR PART TO ANYONE WITHOUT THE WRITTEN PERMISSION OF NEWNEX

**PN: US2-IPAF**

Mating Products PN: *US2-IPA*



Copyright © Newnex Technology Corp., All Rights Reserved  
Units in millimeters