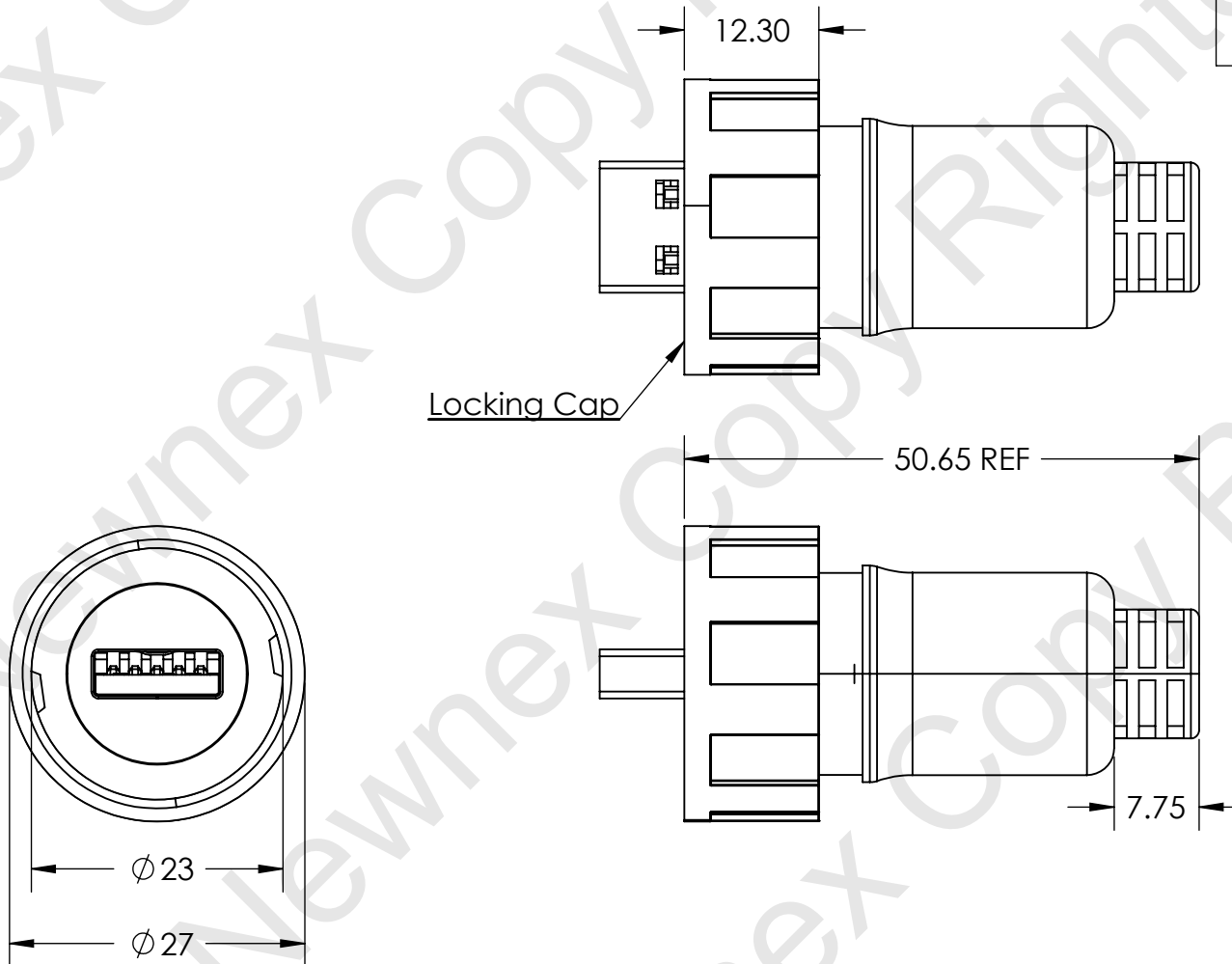
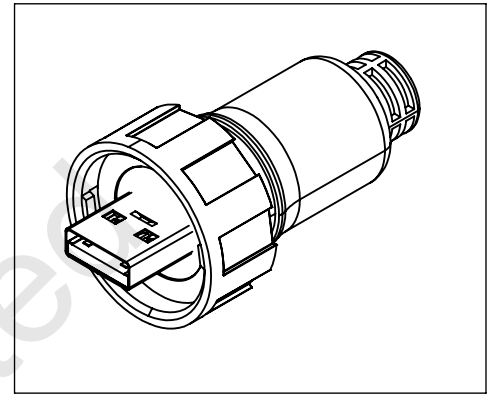


NEWNEX PROPRIETARY

THIS DOCUMENT AND THE DATA DISCLOSED HEREIN OR WITHIN IS NOT TO BE REPRODUCED, USED, OR DISCLOSED IN WHOLE OR PART TO ANYONE WITHOUT THE WRITTEN PERMISSION OF NEWNEX

PN: US2-IPA

Mating Products PN: *US2-IPAF*



Copyright © Newnex Technology Corp., All Rights Reserved
Units in millimeters