

**NEWNEX PROPRIETARY**

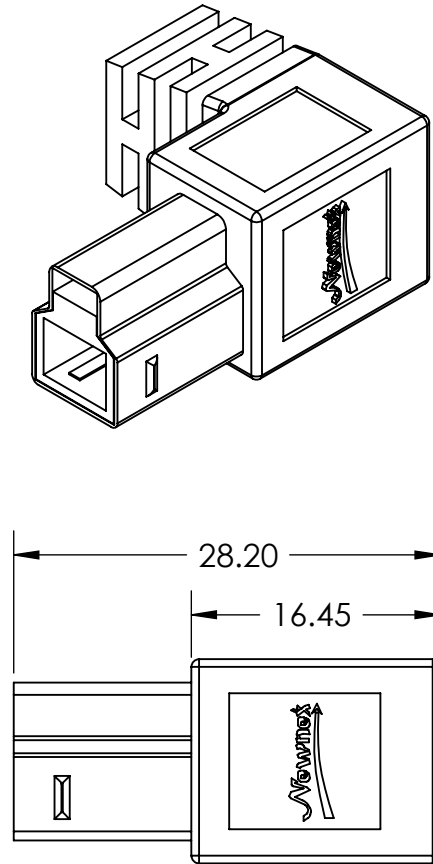
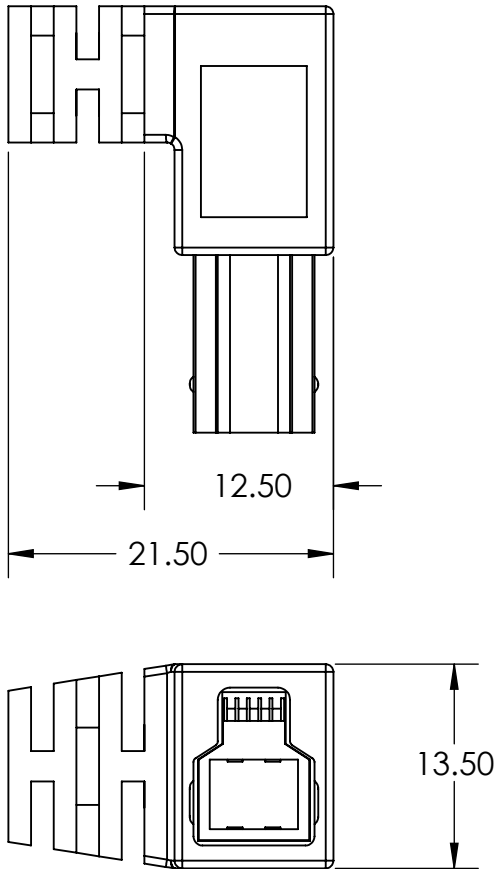
THIS DOCUMENT AND THE DATA DISCLOSED HEREIN OR WITHIN IS NOT TO BE REPRODUCED, USED, OR DISCLOSED IN WHOLE OR PART TO ANYONE WITHOUT THE WRITTEN PERMISSION OF NEWNEX

**COMPANY NAME**

**CUSTOMER SIGNATURE**

**DATE**

**COMMENTS:**



Newnex Technology Corp.



UNLESS OTHERWISE SPECIFIED DIMENSIONS ARE IN MILLIMETERS TOLERANCES ARE:

FRACTIONS DECIMALS ANGLES  
 • NA X ± 0.5 ± 0.5°  
 XX ± 0.25  
 XXX ± 0.125

PROJ: SCALE: 1:1 REV: A DATE: 02/07/2017

TITLE: USB 3.0 Angled B Male

DRAWN BY: XW APPROVED BY: ZL

PART NUMBER: US2-BR04

CHECKED BY: SHEET 1 OF 1

REVISION COMMENTS: Drawing generated