

NEWNEX PROPRIETARY

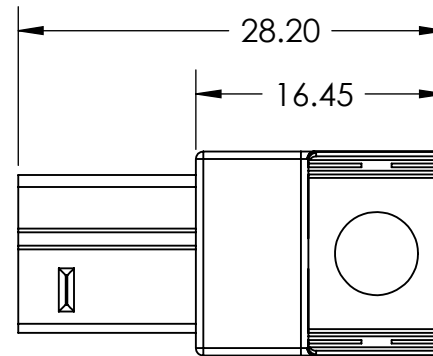
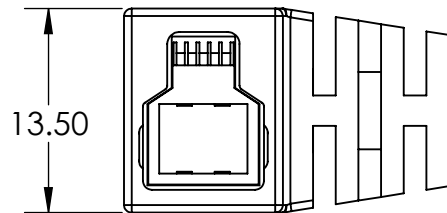
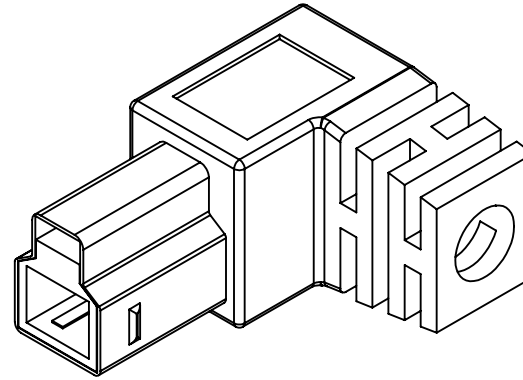
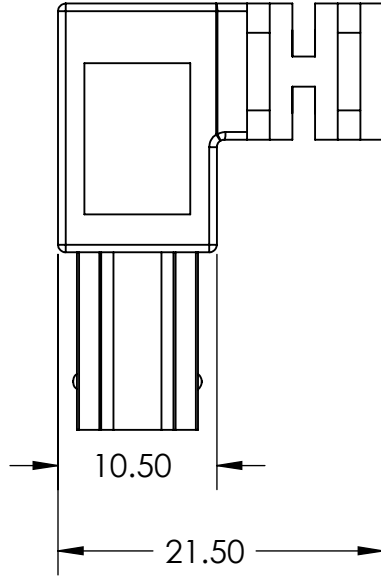
THIS DOCUMENT AND THE DATA DISCLOSED HEREIN OR WITHIN IS NOT TO BE REPRODUCED, USED, OR DISCLOSED IN WHOLE OR PART TO ANYONE WITHOUT THE WRITTEN PERMISSION OF NEWNEX

COMPANY NAME

CUSTOMER SIGNATURE

DATE

COMMENTS:




Newnex Technology Corp.



UNLESS OTHERWISE SPECIFIED DIMENSIONS ARE IN MILLIMETERS TOLERANCES ARE:

FRACTIONS DECIMALS ANGLES
 • NA XX ± 0.25 ± 0.5°
 .XXX ± 0.125

PROJ: 
 SCALE: 1:1
 DATE: 02/07/2017

TITLE: USB 3.0 Angled B Male

REV: A
 DRAWN BY: XW
 APPROVED BY: ZL

PART NUMBER: US2-BR02

CHECKED BY:
 SHEET 1 OF 1

REVISION COMMENTS:
 Drawing generated