

NEWNEX PROPRIETARY

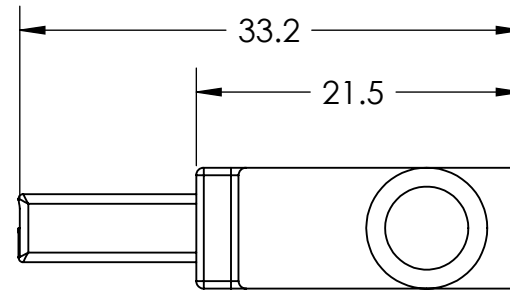
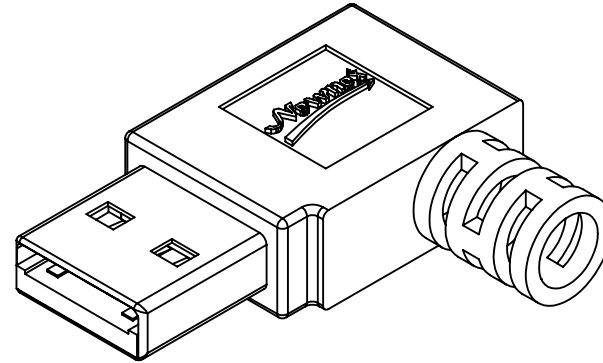
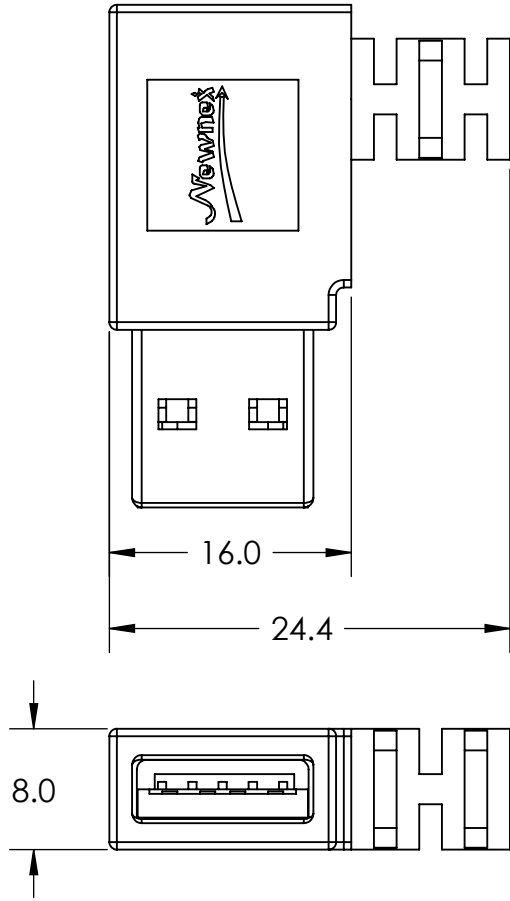
THIS DOCUMENT AND THE DATA DISCLOSED HEREIN OR WITHIN IS NOT TO BE REPRODUCED, USED, OR DISCLOSED IN WHOLE OR PART TO ANYONE WITHOUT THE WRITTEN PERMISSION OF NEWNEX

COMPANY NAME

CUSTOMER SIGNATURE

DATE

COMMENTS:



Newnex Technology Corp.



UNLESS OTHERWISE SPECIFIED DIMENSIONS ARE IN MILLIMETERS TOLERANCES ARE:

FRACTIONS DECIMALS ANGLES
 • NA X ± 0.5 ± 0.5°
 XX ± 0.25
 XXX ± 0.125

PROJ: TITLE: USB 3.0 Angled A Male
 SCALE: 1:1 REV: A
 DATE: 01/20/2014

TITLE: USB 3.0 Angled A Male

DRAWN BY: JL

APPROVED BY: KL

PART NUMBER: US2-AR02

CHECKED BY:

SHEET 1 OF 1

REVISION COMMENTS: Drawing generated