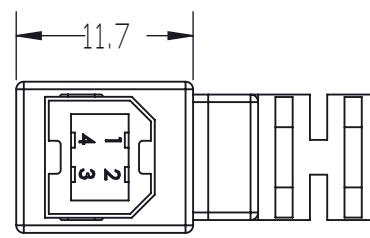
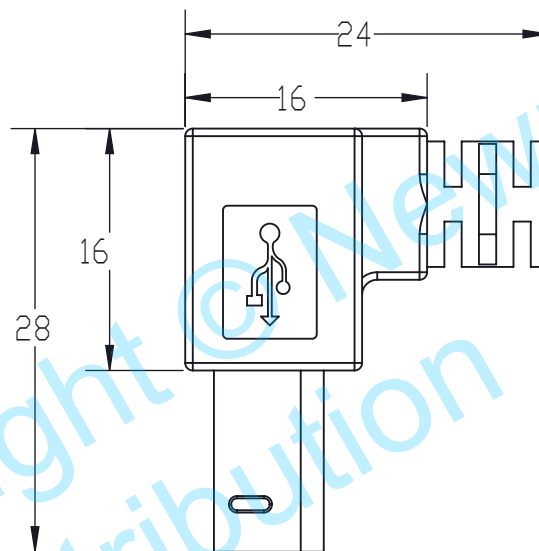


NEWNEX PROPRIETARY

THIS DOCUMENT AND THE DATA DISCLOSED HEREIN OR WITHIN IS NOT TO BE REPRODUCED, USED, OR DISCLOSED IN WHOLE OR PART TO ANYONE WITHOUT THE WRITTEN PERMISSION OF NEWNEX



Newnex Technology Corp.



UNLESS OTHERWISE SPECIFIED DIMENSIONS ARE IN MILLIMETER TOLERANCES ARE:

FRACTIONS	DECIMALS	ANGLES
± NA	0.1 0.2 0.5	± 0.5°

MATERIAL: _____
 PROJ:
 SCALE: 2:1 REV: A

USB 2.0 B Male, Up Angle

DRAWN BY: I.M.

APPROVED BY: T.M.

UH2-BR5

DATE: 9/1/2011

SHEET 1 OF 1

*RoHS compliant product