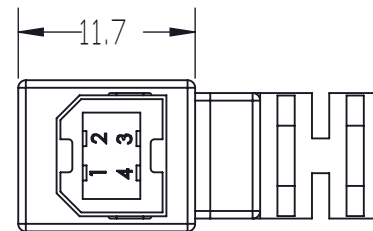
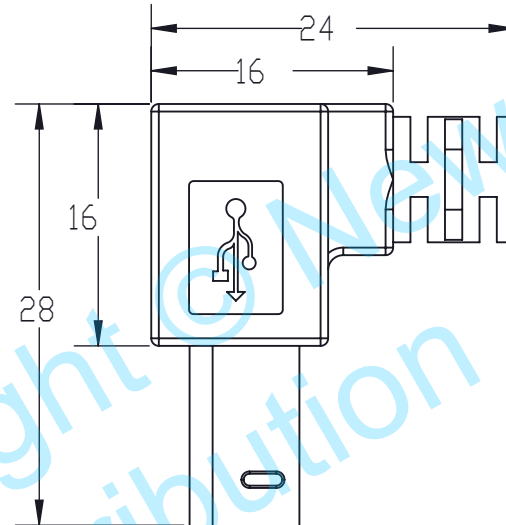


NEWNEX PROPRIETARY

THIS DOCUMENT AND THE DATA DISCLOSED HEREIN OR WITHIN IS NOT TO BE REPRODUCED, USED, OR DISCLOSED IN WHOLE OR PART TO ANYONE WITHOUT THE WRITTEN PERMISSION OF NEWNEX



\*RoHS compliant product

Newnex Technology Corp.				
UNLESS OTHERWISE SPECIFIED DIMENSIONS ARE IN MILLIMETER TOLERANCES ARE:		MATERIAL:		
FRACTIONS: DECIMALS: ANGLES:		PROJ:		USB 2.0 B Male, Down Angle
± NA    0.1    0.2    0.5 °		SCALE: 2:1	REV: A	DRAWN BY: I.M.
UH2-BR4		DATE: 9/1/2011	APPROVED BY: T.M.	
		SHEET 1 OF 1		