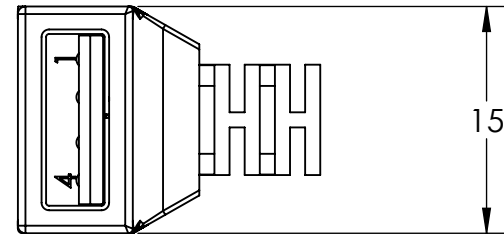
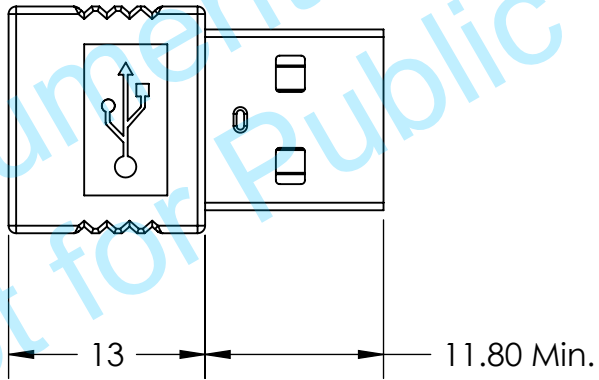
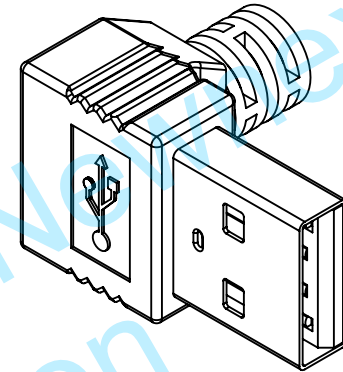
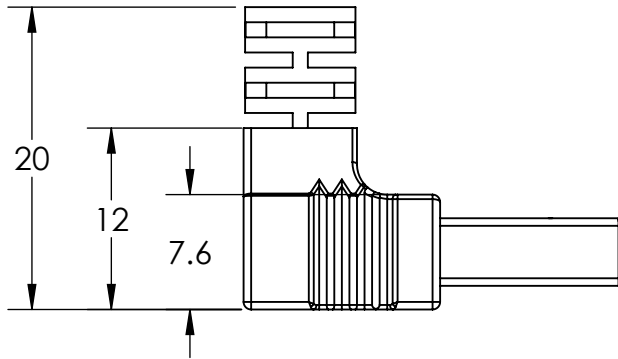


NEWNEX PROPRIETARY

THIS DOCUMENT AND THE DATA DISCLOSED HEREIN OR WITHIN IS NOT TO BE REPRODUCED, USED, OR DISCLOSED IN WHOLE OR PART TO ANYONE WITHOUT THE WRITTEN PERMISSION OF NEWNEX



Newnex Technology Corp.



UNLESS OTHERWISE SPECIFIED DIMENSIONS ARE IN MILLIMETERS TOLERANCES ARE:		PROJ	TITLE:	
FRACTIONS	DECIMALS	ANGLES	SCALE:	REV.
± NA	X ± 0.1	± 0.5°	2:1	A
	XX ± 0.05		DATE:	8/1/2012
	XXX ± 0.010		DRAWN BY:	ZL
PART NUMBER:			CHECKED BY:	APPROVED BY:
UH2-AR1			HX	SHEET 1 OF 1