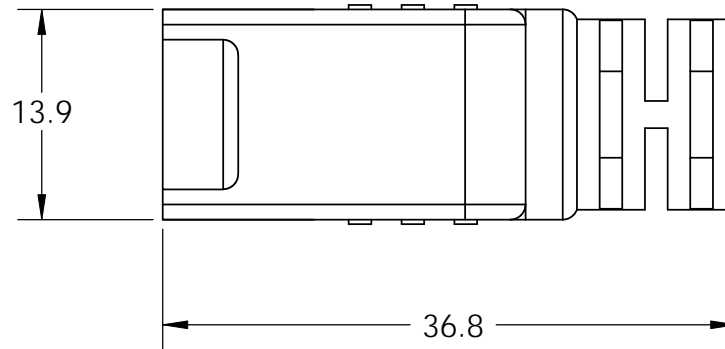
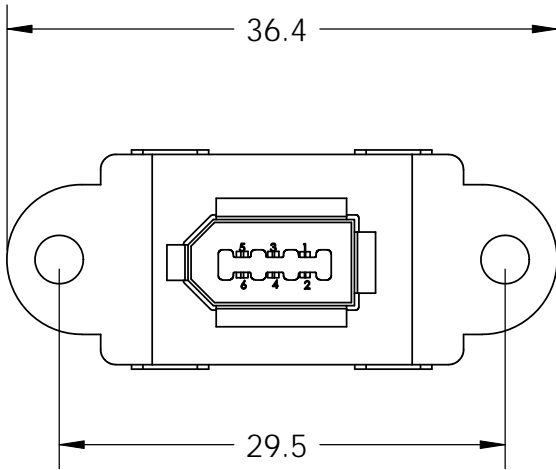
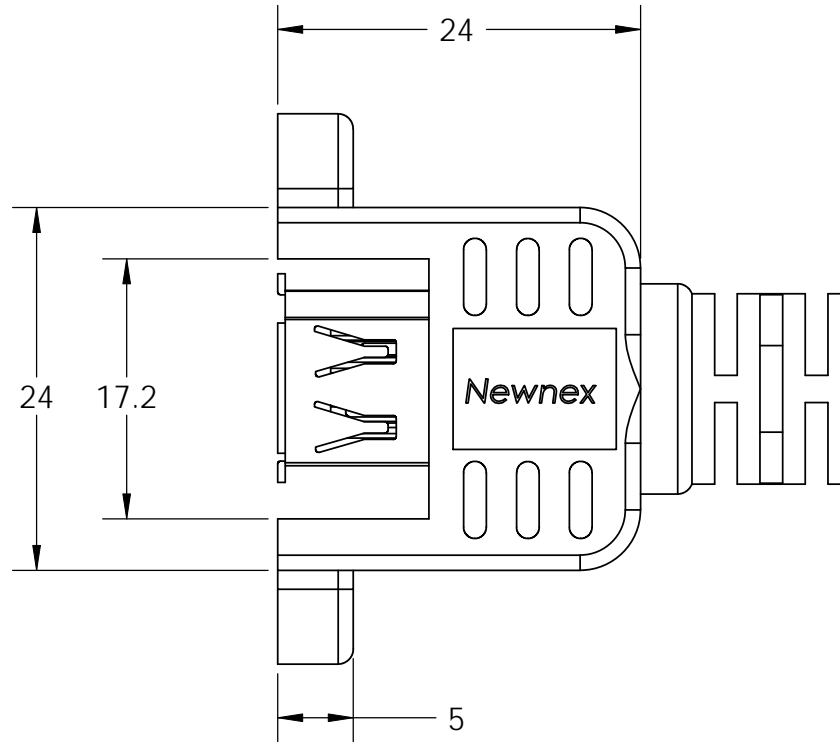


NEWNEX PROPRIETARY

THIS DOCUMENT AND THE DATA DISCLOSED HEREIN OR WITHIN IS NOT TO BE REPRODUCED, USED, OR DISCLOSED IN WHOLE OR PART TO ANYONE WITHOUT THE WRITTEN PERMISSION OF NEWNEX



Newnex Technology Corp.



UNLESS OTHERWISE SPECIFIED DIMENSIONS ARE IN MILLIMETERS TOLERANCES ARE:			MATERIAL		TITLE: FireWire 6 Pin Panel Mount	
FRACTIONS	DECIMALS	ANGLES	PROJ: 	SCALE: 2:1	REV: A	DRAWN BY: CW
± NA	X ₂ 0.2 XX ₂ 0.1 XXX ₂ 0.05	± 0.5°				APPROVED BY:
PART NUMBER: CFR-6			DATE: 7/26/2011		SHEET 1 OF 1	

*RoHS compliant product