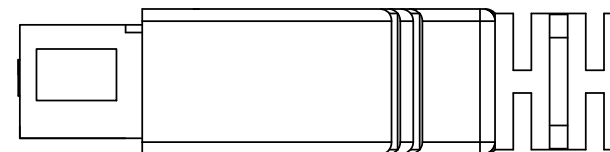
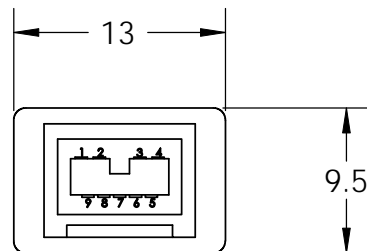
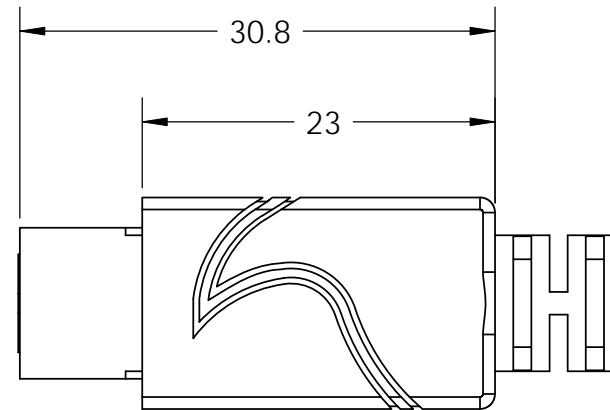

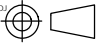


**NEWNEX PROPRIETARY**

THIS DOCUMENT AND THE DATA DISCLOSED HEREIN OR WITHIN IS NOT TO BE REPRODUCED, USED, OR DISCLOSED IN WHOLE OR PART TO ANYONE WITHOUT THE WRITTEN PERMISSION OF NEWNEX



\*RoHS compliant product

Newnex Technology Corp.			
UNLESS OTHERWISE SPECIFIED DIMENSIONS ARE IN MILLIMETERS TOLERANCES ARE:		TITLE: FireWire 9 Pin Beta	
FRACTIONS    DECIMALS    ANGLES	PROJ: 	DRAWN BY:	APPROVED BY:
± NA    X <sub>2</sub> 0.2    ± 0.5° XX <sub>2</sub> 0.1 XXX <sub>2</sub> 0.05	SCALE:    REV:	CW	
PART NUMBER: CFB-9 Beta		DATE: 8/2/2011	SHEET 1 OF 1