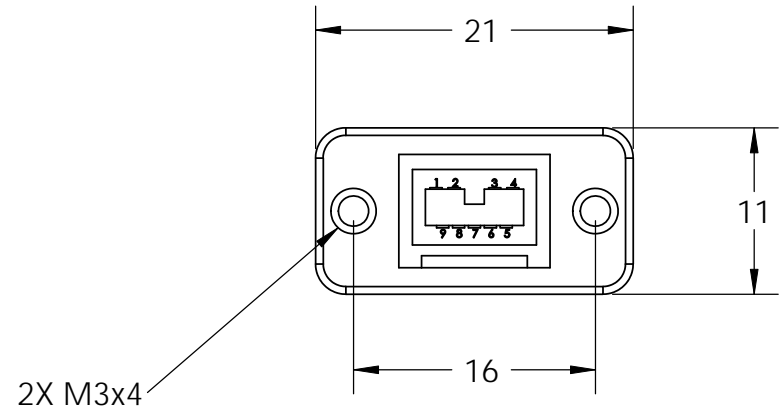
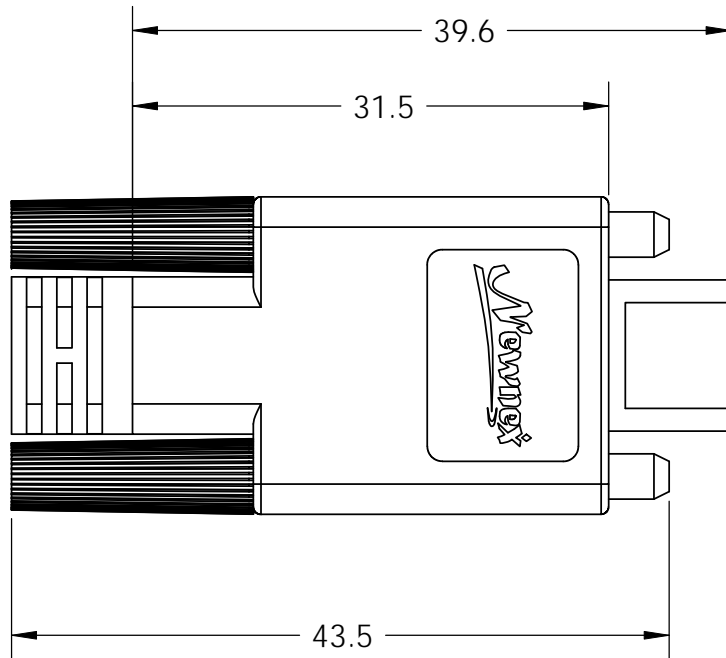
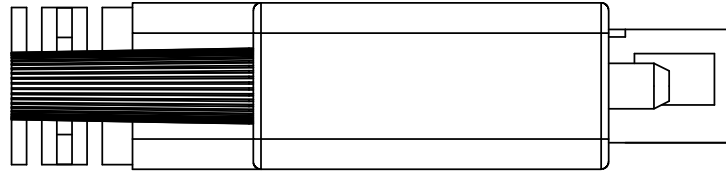


NEWNEX PROPRIETARY

THIS DOCUMENT AND THE DATA DISCLOSED HEREIN OR WITHIN IS NOT TO BE REPRODUCED, USED, OR DISCLOSED IN WHOLE OR PART TO ANYONE WITHOUT THE WRITTEN PERMISSION OF NEWNEX



Newnex Technology Corp.



UNLESS OTHERWISE SPECIFIED DIMENSIONS ARE IN MILLIMETERS TOLERANCES ARE:			MATERIAL		TITLE: FireWire Locking 9 Pin Beta	
FRACTIONS ± NA	DECIMALS X ₂ 0.2 XX ₂ 0.1 XXX ₂ 0.05	ANGLES ± 0.5°	PROJ: 	SCALE: 2:1	REV: A	DRAWN BY: CW
PART NUMBER: 9 Pin Locking Beta			DATE: 8/1/2011		APPROVED BY: SHEET 1 OF 1	

*RoHS compliant product