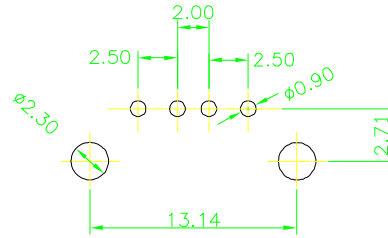
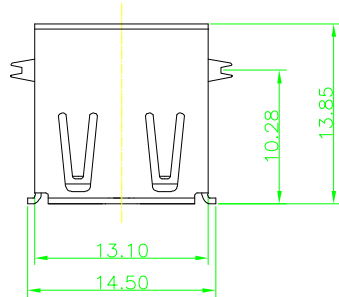
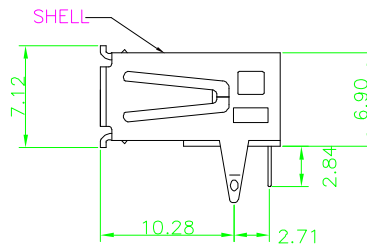
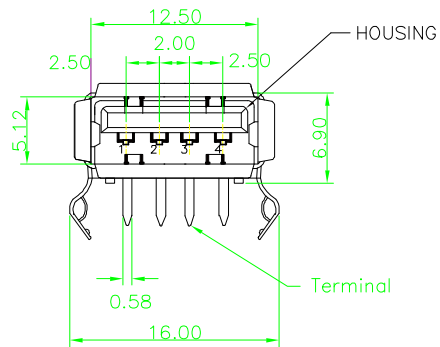


THIS DOCUMENT AND THE DATA DISCLOSED HEREIN OR WITHIN IS NOT TO BE REPRODUCED, USED, OR DISCLOSED IN WHOLE OR PART TO ANYONE WITHOUT THE WRITTEN PERMISSION OF NEWNEX



PC BOARD LAYOUT



Notes:

- 1.0 Electrical Characteristics.
 - 1.1 Withstanding Voltage: 500V AC
 - 1.2 Insulation Resistance: 1000Mohms Min.
 - 1.3 Contact Resistance: 30 milliohms Max.
- 2.0 Materials:
 - 2.1 Housing: Thermoplastic, UL94V-0
 - 2.2 Contact: Copper Alloy
 - 2.3 Shell: Copper Alloy
- 3.0 Finish:
 - 3.1 Shell: Bright tin plating and Ni plating.
 - 3.2 Contact: Plated gold in mating area.
 - 3.3 Tail: Tin (Sn).
- 4.0 Others:
 - 4.1 Temperature Range: -25°C to +85°C
 - 4.2 Durability min: 1500 cycles.
 - 4.3 Packaging: Tray

Newnex Technology Corp.

UNLESS OTHERWISE SPECIFIED, DIMENSIONS ARE IN MILLIMETER TOLERANCES ARE: FRACTIONS DECIMALS ANGLES ± NA X ± 0.2 ± 0°5' .XX ± 0.1 .XXX ± 0.05	MATERIAL	RECEPTACLE ASSEMBLY ANGLED, 4 POSITION, THRU-HOLE, USB	
	FINISH	SCALE: 5:1	CHECKED BY:
PART NUMBER URA-1001	DATE:	SIZE: A2	DRAWING NO:
			SHEET 1 OF 1