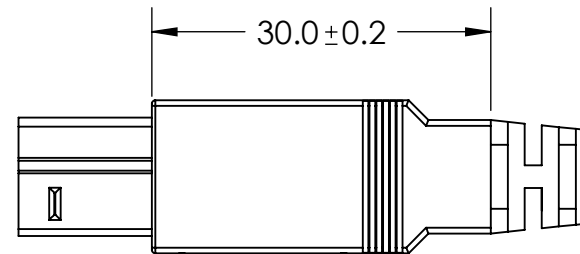
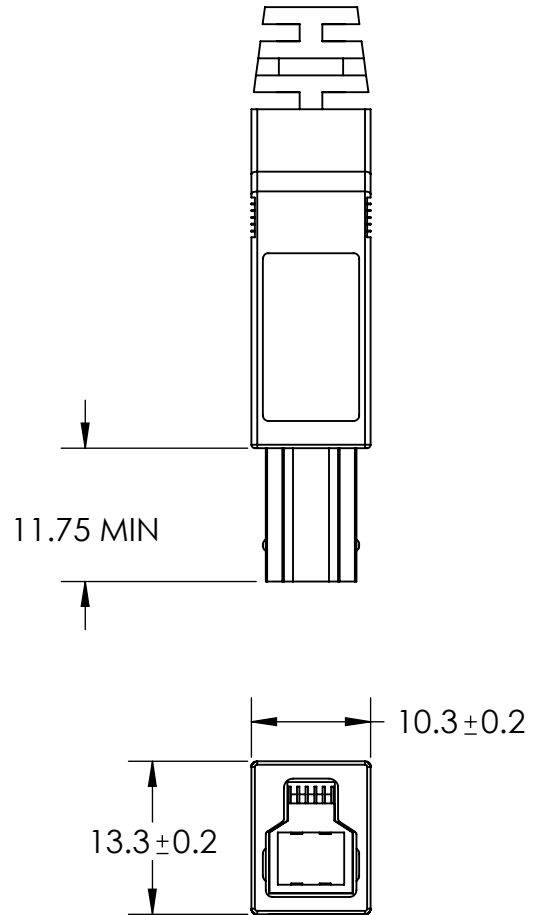


**NEWNEX PROPRIETARY**

THIS DOCUMENT AND THE DATA DISCLOSED HEREIN OR WITHIN IS NOT TO BE REPRODUCED, USED, OR DISCLOSED IN WHOLE OR PART TO ANYONE WITHOUT THE WRITTEN PERMISSION OF NEWNEX



Newnex Technology Corp.



UNLESS OTHERWISE SPECIFIED DIMENSIONS ARE IN MILLIMETERS TOLERANCES ARE:			PROJ	TITLE: USB 3.0 B Male	
FRACTIONS	DECIMALS	ANGLES	SCALE: 3:2	REV. A	
± NA	X ± 0.5 XX ± 0.25 XXX ± 0.125	± 0.5°	DATE: 8/2/2013	DRAWN BY: KL	APPROVED BY:
PART NUMBER: US2-B			CHECKED BY: JG	SHEET 1 OF 1	