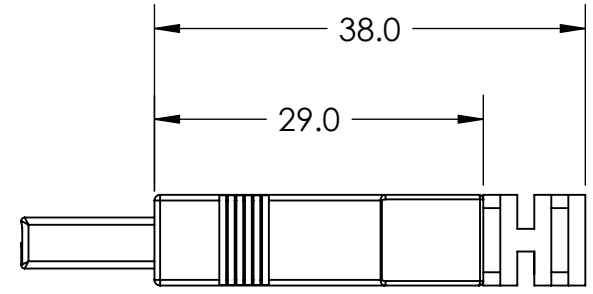
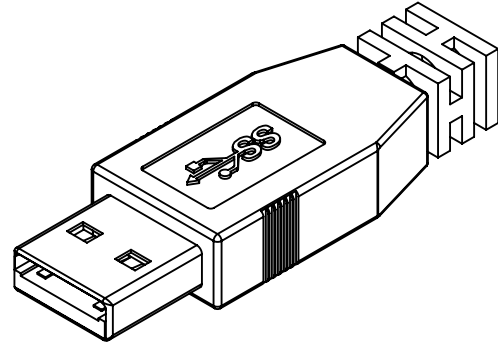
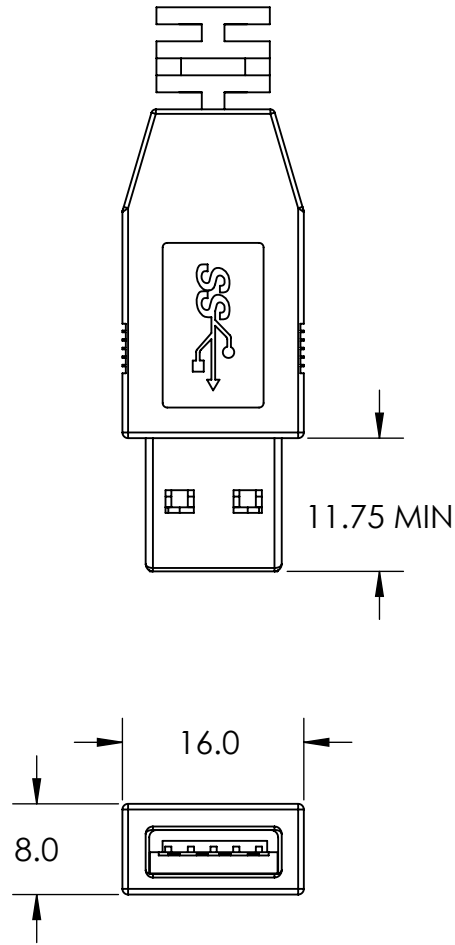


NEWNEX PROPRIETARY

THIS DOCUMENT AND THE DATA DISCLOSED HEREIN OR WITHIN IS NOT TO BE REPRODUCED, USED, OR DISCLOSED IN WHOLE OR PART TO ANYONE WITHOUT THE WRITTEN PERMISSION OF NEWNEX



Newnex Technology Corp.



UNLESS OTHERWISE SPECIFIED DIMENSIONS ARE IN MILLIMETERS TOLERANCES ARE:		PROJ	TITLE:
FRACTIONS	DECIMALS	ANGLES	USB 3.0 A Male
± NA	X ± 0.2	± 0.5°	SCALE: 3:2
	XX ± 0.10		REV. B
	XXX ± 0.005		DATE: 04/18/2016
PART NUMBER: US2-A		CHECKED BY:	APPROVED BY:
		ZL	SHEET 1 OF 1