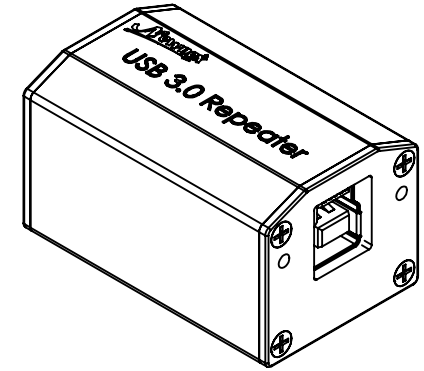


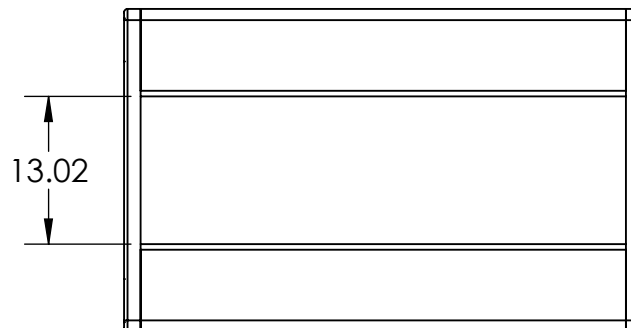
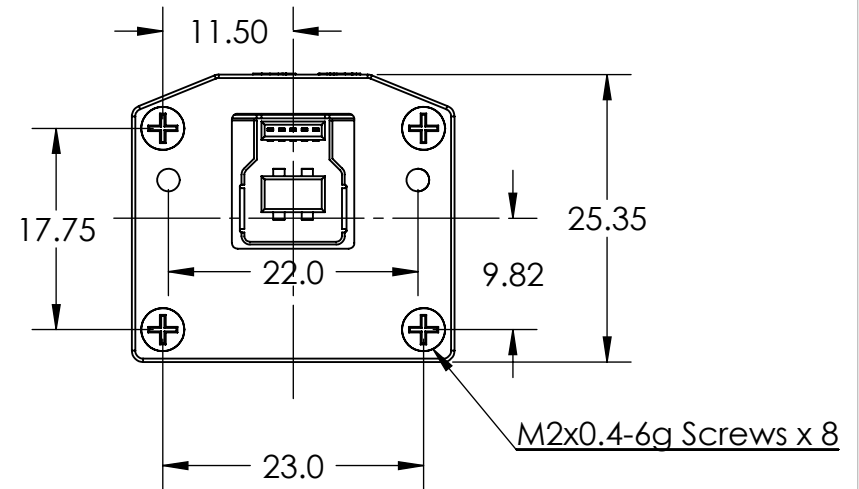
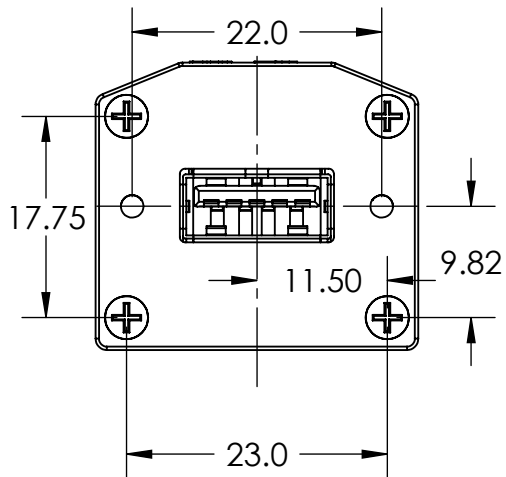
**NEWNEX PROPRIETARY**

THIS DOCUMENT AND THE DATA DISCLOSED HEREIN OR WITHIN IS NOT TO BE REPRODUCED, USED, OR DISCLOSED IN WHOLE OR PART TO ANYONE WITHOUT THE WRITTEN PERMISSION OF NEWNEX



USB 3.0 A Female Side

USB 3.0 B Female Side



Newnex Technology Corp.



UNLESS OTHERWISE SPECIFIED DIMENSIONS ARE IN MILLIMETERS TOLERANCES ARE:

FRACTIONS DECIMALS ANGLES  
 ± NA X ± 0.2 ± 0.5  
 XXX ± 0.10  
 XXX ± 0.050

PROJ:   
 SCALE: 3:2  
 REV: A  
 DATE: 02/19/2019

TITLE: FireNEX™-UDS, USB 3.0 Active Coupler, Metal Enclosure.

PART NUMBER: FIRENEX-UDS

DRAWN BY: \_\_\_\_\_  
 CHECKED BY: \_\_\_\_\_

APPROVED BY: \_\_\_\_\_